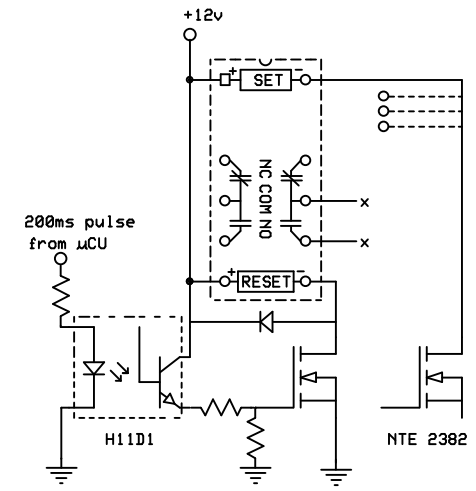
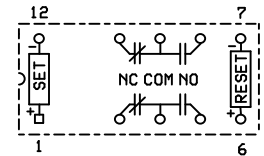


solid state relay (SSR)  
CrydomD1D40 100Vdc 40A

12 V, 2 A Latch Relay  
DigiKey 255-2854-ND



(Note: 1 mosfet feeds all relay RESET coils) (1 mosfet for each operating group of 4 relay SET coils)

Config.	Operational STATE 1	Operational STATE 2	Operational STATE 3
Charging	1 , 2	3 , 4	5 , 6
Dischrngng	3 , 4	5 , 6	1 , 2
Resting	5 , 6	1 , 2	3 , 4

**Tesla Switch M.Jones small version**

modified six battery setup

Dennis Newkirk	Rev 1.0	Page 1 of 1
	01/06/2012	